

TECHNICAL SPECIFICATION

Universal Limit Switch – Series CZ93-xx



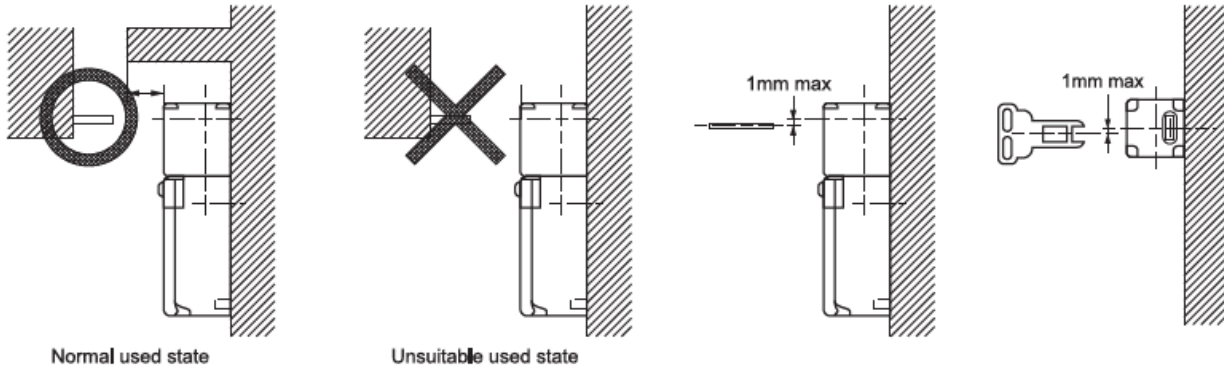
Description

Limit switches of the CZ 93 series are Safety Key Interlock Switches. They are used in object control systems with high safety requirements. The limit switch body is mounted to the fixed system component, while the safety key is mounted to the movable system component. System operation cannot start, unless a full interlocking is achieved. Safety key interlock switches can operate at up to 10A non-inductive resistance load, 3A lamp load and 5A inductive load. They have high operating accuracy at wide variety of speeds. These limit switches are available in two versions depending on the operating contacts number: 2NC and NO+NC

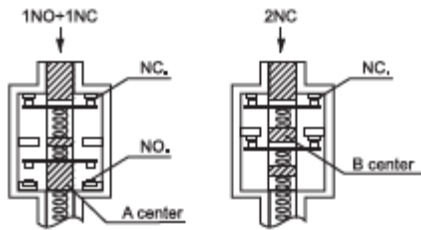
Technical data

- Dielectric Strength: 2500V AC
- Insulation Resistance: 100m Ω min. (at 500VDC)
- Contact Resistance: 25m Ω
- Electrical Life (number of cycles): 50 000 with non-inductive load
- Mechanical Life (Number of cycles): 2 000 000
- Operating frequency: 30 electrical operations/ minute
- Operating speed: 0.1mm/s to 0.5m/s

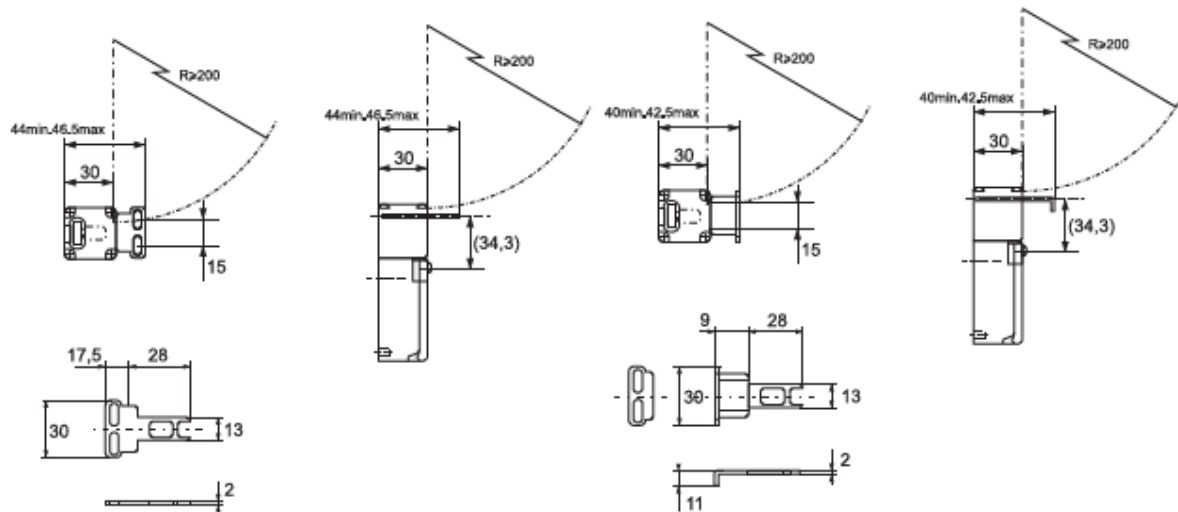
- Rated voltage: 230V
- IP code: IP65

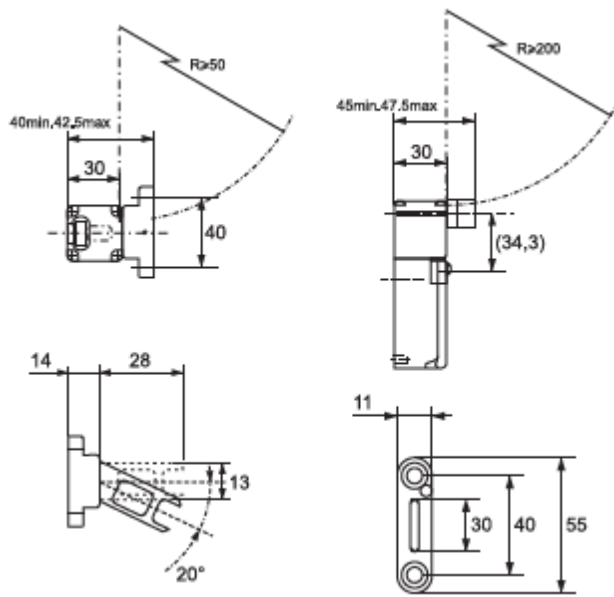


Type of the contact system



Schemes





Variants

Type	Key type	Power of starting	Power of release	Switching position	General movement	Rated current	Packing / Box (pcs)	Catalogue number
CZ-93BPG01	CZ93-K1	147N	29.4N	6mm	28mm	10A-active 3A-inductive	10 / 100	46CZ08
CZ-93CPG01	CZ93-K1	147N	29.4N	6mm	28mm	10A-active 3A-inductive	10 / 100	46CZ09
CZ-93BPG02	CZ93-K2	147N	29.4N	6mm	28mm	10A-active 3A-inductive	10 / 100	46CZ10
CZ-93CPG02	CZ93-K2	147N	29.4N	6mm	28mm	10A-active 3A-inductive	10 / 100	46CZ11
CZ-93BPG03	CZ93-K3	147N	29.4N	6mm	28mm	10A-active 3A-inductive	10 / 100	46CZ12
CZ-93CPG03	CZ93-K3	147N	29.4N	6mm	28mm	10A-active 3A-inductive	10 / 100	46CZ13

Type	Key Actuating	Packing / Box (pcs)	Catalogue number
CZ 93 – K1	Horizontal	1 / 100	46CZ931
CZ 93 – K2	Vertical	1 / 100	46CZ932
CZ 93 – K3	Adjustable	1 / 100	46CZ933

Standards

EN 60947-1

EN 60947-5-1

